

DESCRIPTION

The EVB8009A1 and EVB8009B1 development boards allow for quick prototyping for the AGV8000 series closed loop fan controllers in the SOIC-16 package. Pre-routed connections are provided for the VDD to GND bypass capacitor, Max RPM setting, LOOP filter capacitor, and ANA capacitor if needed. All of which can be either through hole or surface mount components. The remaining pins are left unconnected to allow flexibility in prototype designs.

EVB8009A1 EVALUATION BOARD

The EVB8009A1 board can be used to prototype an entire fan control system. The board will accommodate a combination of surface mount, through hole, and dual inline components. A male DB-9 connector can be used to interface to the fan's Hall sensor and stator coil windings. Binding post pads allow for easy interface to bench top power supplies.

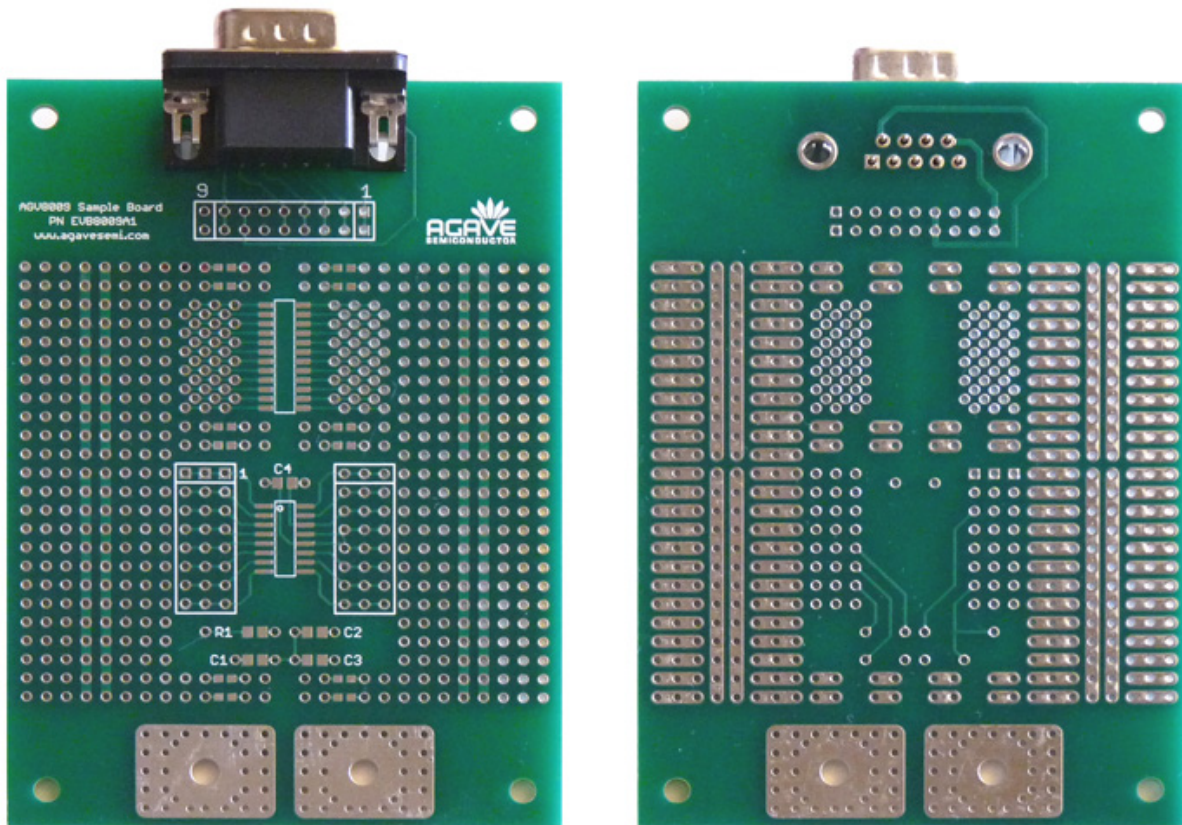


Fig. 1 EVB8009A1 Evaluation Board

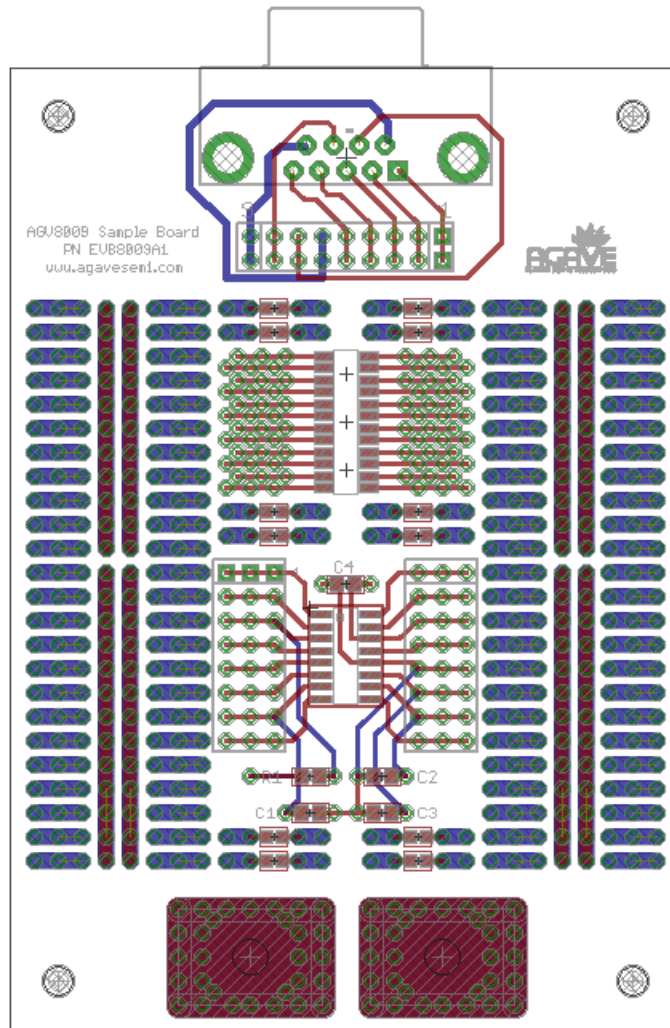


Fig. 2 EVB8009A1 Evaluation Board, Red Component Side, Blue Solder Side

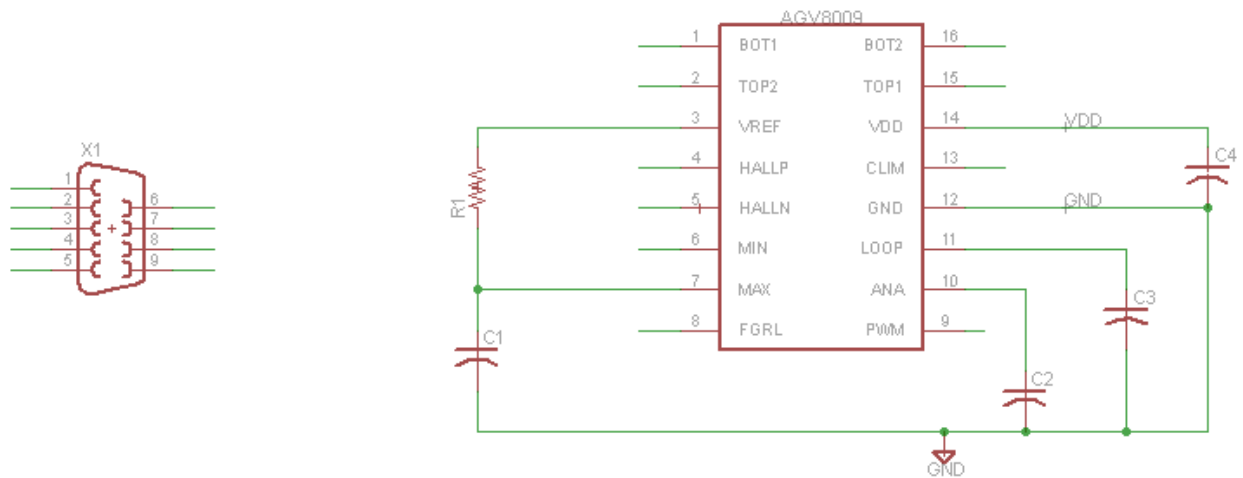


Fig. 3 EVB8009A1 Evaluation Board Schematic

EVB8009B1 EVALUATION BOARD

The smaller of the two boards, the EVB8009B1, can be used to quickly make measurements or allow for connection to other boards. The board will accommodate both surface mount and through hole components for the pre-routed connections.

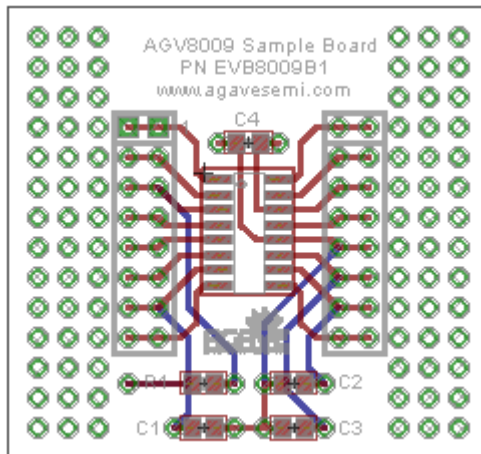
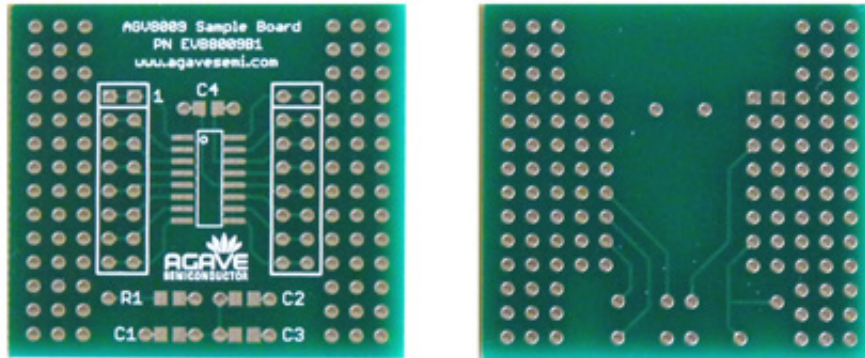


Fig. 4 EVB8009B1 Evaluation Board, Red Component Side, Blue Solder Side

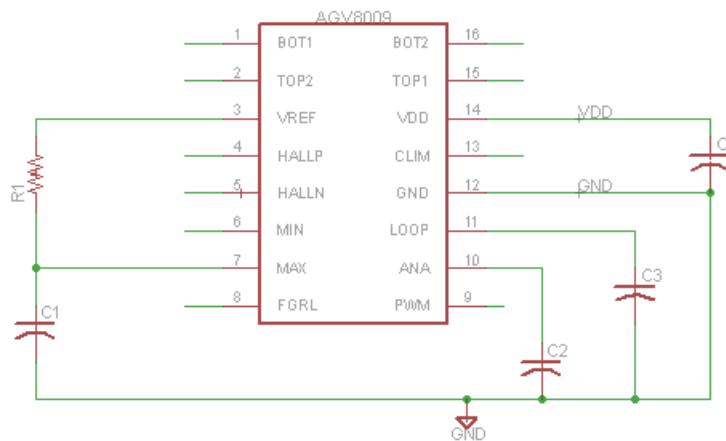


Fig. 5 EVB8009B1 Evaluation Board Schematic

PIN CONFIGURATIONS

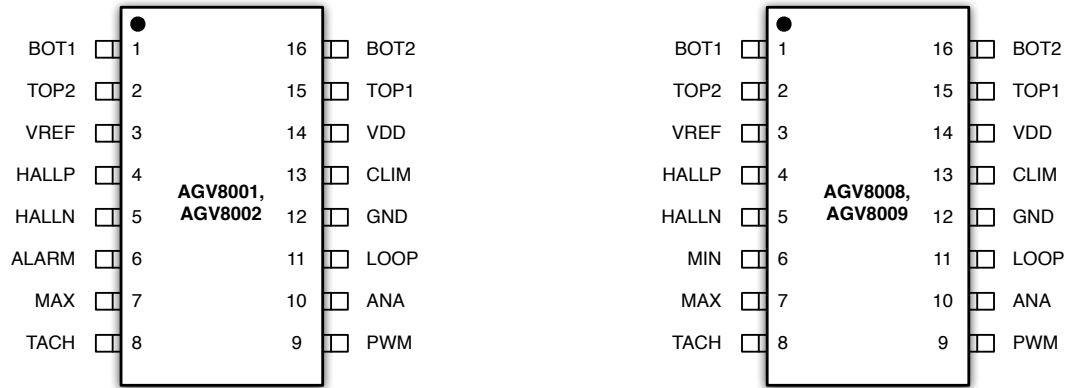


Fig. 6 Pin Configurations